



# Illustrated Parts List

## Model Series

# 445600

TYPE NUMBERS  
0110 through 1274.

### TABLE OF CONTENTS

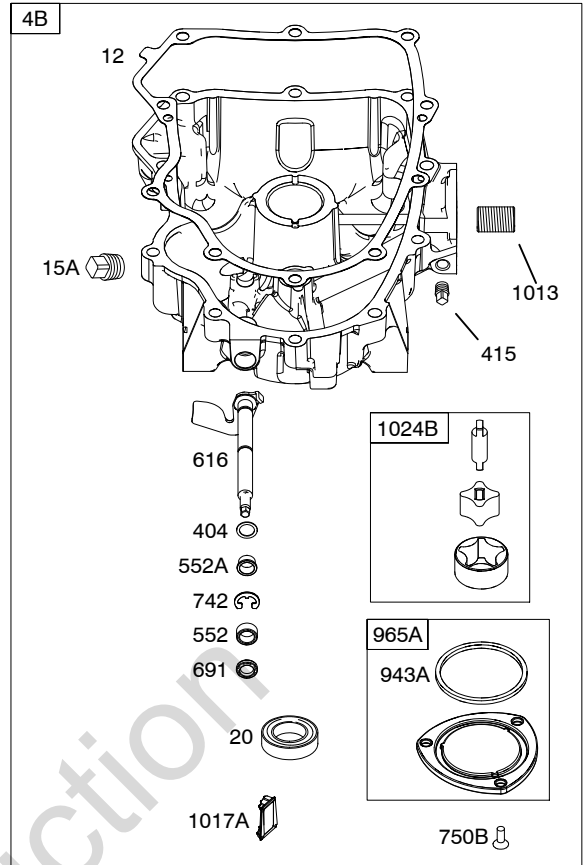
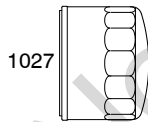
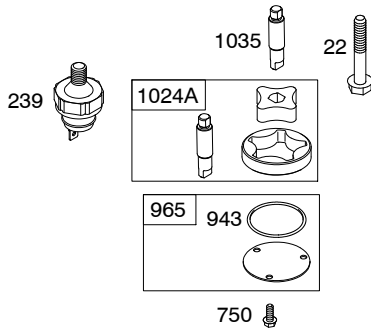
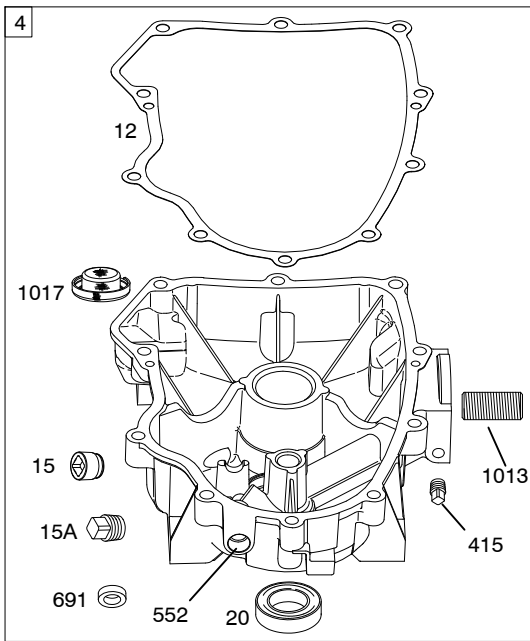
|  |   |
|--|---|
| <b>Air Cleaner</b> .....                   | 6 |
| <b>Alternator</b> .....                    | 8 |
| <b>Blower Housing</b> .....                | 6 |
| <b>Camshaft</b> .....                      | 2 |
| <b>Carburetor</b> .....                    | 5 |
| <b>Controls</b> .....                      | 7 |
| <b>Crankshaft</b> .....                    | 2 |
| <b>Cylinder</b> .....                      | 2 |
| <b>Cylinder Head</b> .....                 | 4 |
| <b>Electric Starter</b> .....              | 7 |
| <b>Engine Sump</b> .....                   | 3 |
| <b>Exhaust System</b> .....                | 7 |
| <b>Flywheel</b> .....                      | 7 |
| <b>Fuel Supply</b> .....                   | 6 |
| <b>Gasket Set - Engine</b> .....           | 5 |
| <b>Gasket Set - Valve</b> .....            | 4 |
| <b>Governor Spring</b> .....               | 7 |
| <b>Ignition</b> .....                      | 8 |
| <b>Kit - Carburetor Overhaul</b> .....     | 5 |
| <b>Lubrication</b> .....                   | 2 |
| <b>Piston, Rings, Connecting Rod</b> ..... | 2 |
| <b>Valves</b> .....                        | 4 |



PRINTED IN U.S.A.

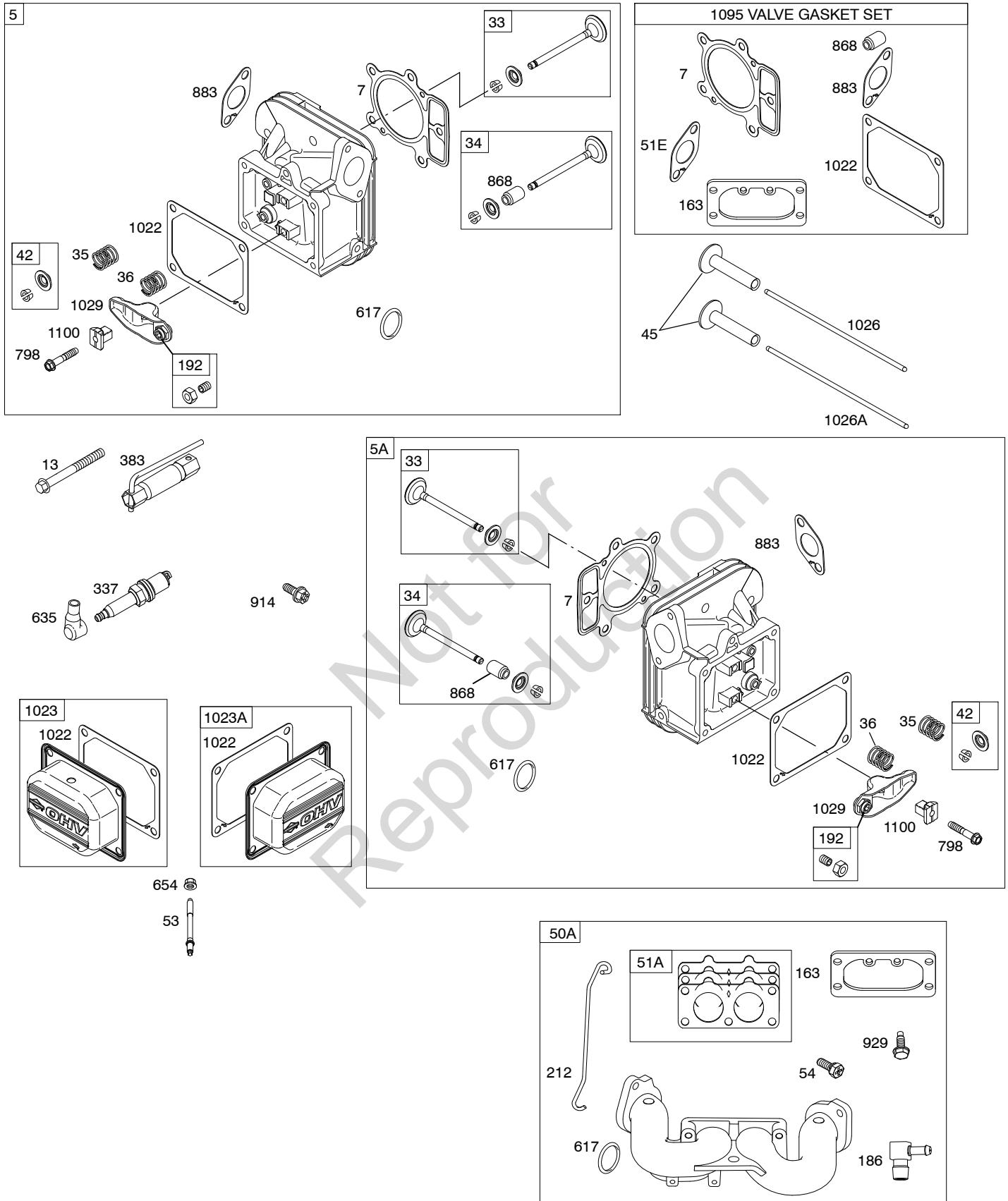
COPYRIGHT by BRIGGS & STRATTON CORPORATION  
All rights reserved. No part of this material may be reproduced or transmitted, in any form or by any means, electronic or mechanical, including photocopying, recording or by any information storage and retrieval system, without permission in writing from Briggs & Stratton Corporation.



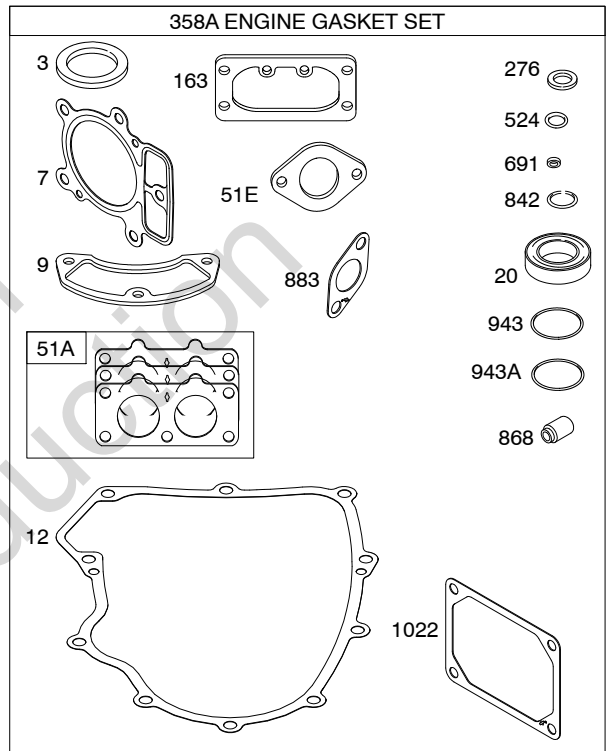
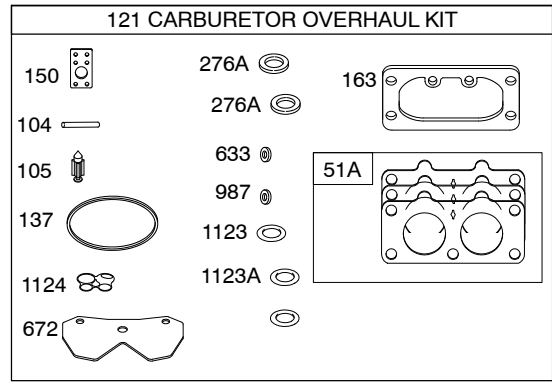
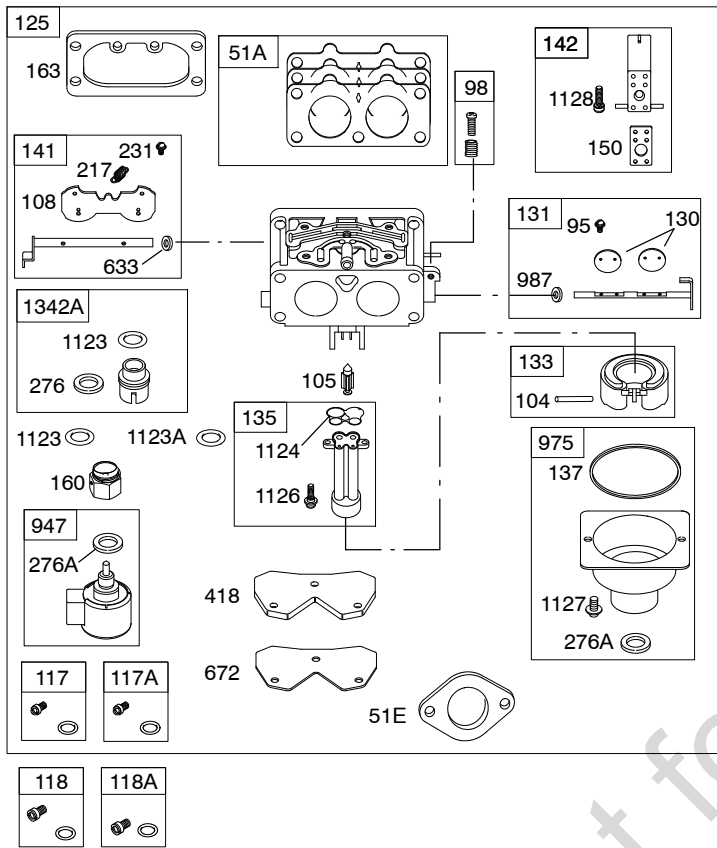


Not for  
Reproduction

# 445600

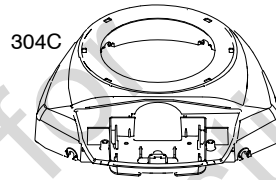
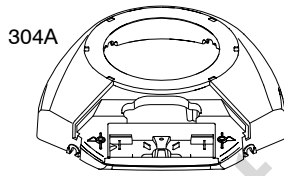
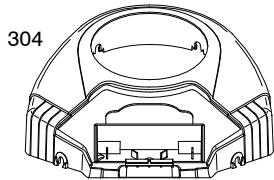
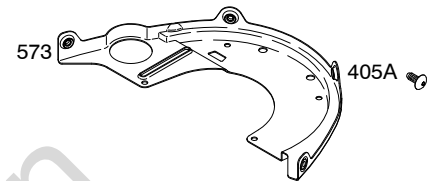
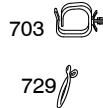
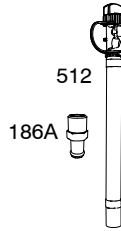
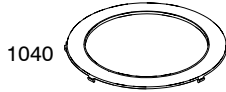
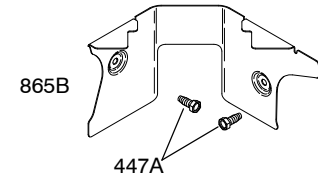
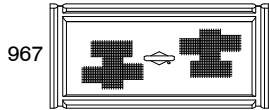
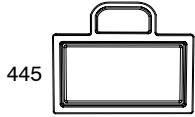
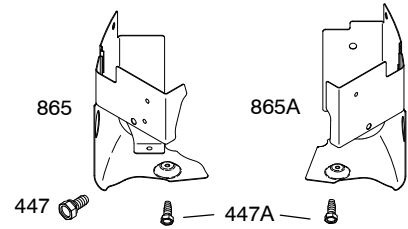
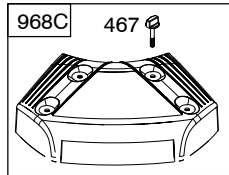
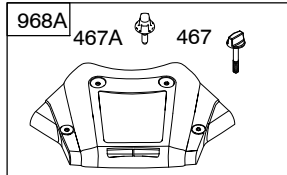
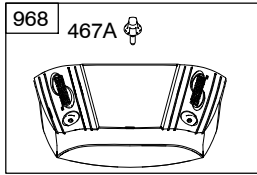


Illustrations cover a range of engines. Parts shown without corresponding text may not be used on your specific engine.  
 3346-4 Assemblies include all parts shown in frames. 12/18/2008

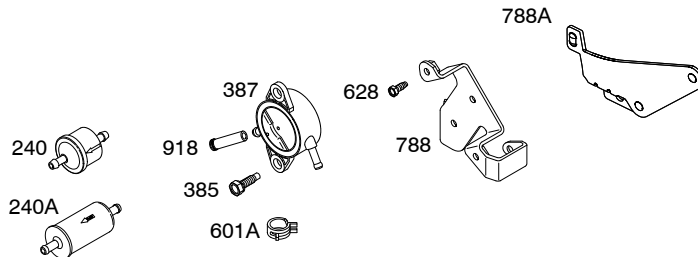
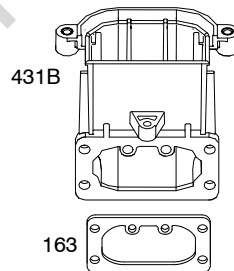
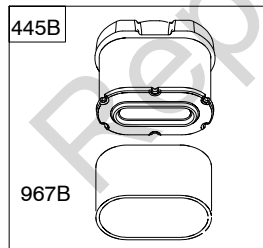
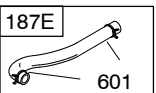
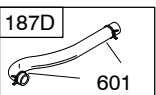
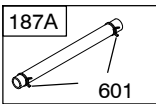


Not for reproduction

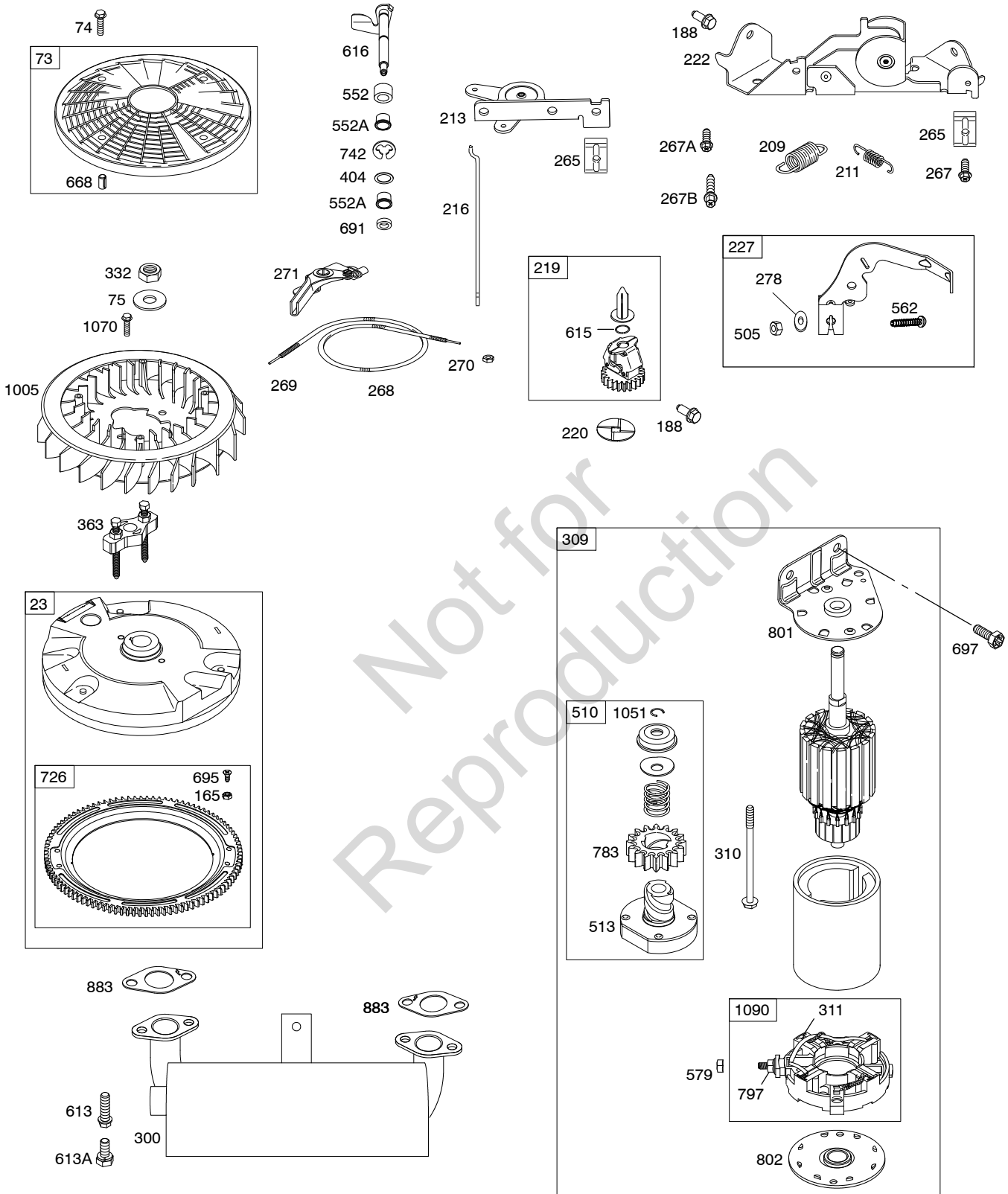
# 445600












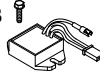

## 1036 EMISSIONS LABEL

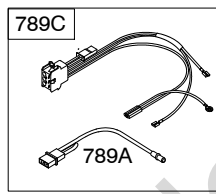
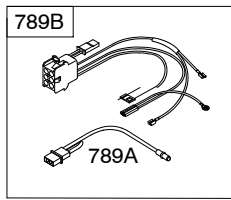


Illustrations cover a range of engines. Parts shown without corresponding text may not be used on your specific engine.  
 3346-6 Assemblies include all parts shown in frames. 12/18/2008

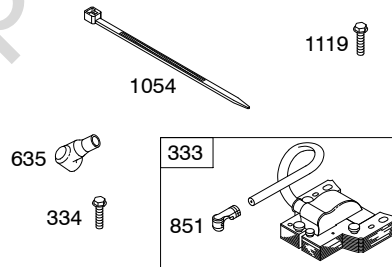


Illustrations cover a range of engines. Parts shown without corresponding text may not be used on your specific engine.  
 3346-7 Assemblies include all parts shown in frames. 12/18/2008

| DUAL CIRCUIT   |   | 10 - 16 AMP   |   | TRI CIRCUIT   |   |
|--|---|---|---|---|---|
| 474C   | 1059  | 474B  | 1059  | 474A  | 1059  |
| 877C   |  | 877B  |  | 877A  |  |
|   |   |                   |   |                  |   |
|  |   | 578A<br>          |   | 578A<br>         |   |
| <p><b>NOTE:</b> All stators use a No. 1119 mounting screw. </p> <p><b>NOTE:</b> The proper flywheel part number and/or the alternator magnet size will determine the alternator type or output. See repair instruction manual for additional information.</p> |   | 526B<br>501B<br> |   | 526A<br>501A<br> |   |



Not for  
Reproduction





| REF. NO. | PART NO. | DESCRIPTION   | REF. NO. | PART NO. | DESCRIPTION  | REF. NO. | PART NO. | DESCRIPTION   |
|----------|----------|---|----------|----------|--|----------|----------|---|
| 1        | 793564   | Cylinder Assembly   | 15       | 691680   | Plug-Oil Drain   | 26       | 792026   | Ring Set<br>(Standard)  |
| 2        | 499585   | Kit-Bushing/Seal<br>(Magneto Side)  | 16       | 699700   | Crankshaft   |          |          | (Used After Code Date<br>05071800).   |
| 3        | 391086s  | Seal-Oil<br>(Magneto Side)  |          |          | ----- Note -----<br>790132 Crankshaft<br>Used on Type No(s).<br>0476, 0759, 1145.        |          |          | ----- Note -----<br>694004 Ring Set<br>(Standard)   |
| 4        | 699747   | Sump-Engine   |          |          | 796256 Crankshaft<br>Used on Type No(s).<br>0127, 1201.                                  |          |          | (Used Before Code<br>Date 05071900).  |
| 4B       | 796307   | Sump-Engine<br>Used on Type No(s).<br>0127, 0128, 1113,<br>1188, 1198, 1199,<br>1201, 1262, 1274.   |          |          | 796237 Crankshaft<br>Used on Type No(s).<br>0128, 1113, 1188,<br>1198.                   |          |          | 792073 Ring Set<br>(.020" Oversize)<br>(Used After Code Date<br>05071800).  |
| 5        | 792299   | Head-Cylinder<br>(Cylinder #1)  | 20       | 795387   | Seal-Oil<br>(PTO Side)   |          |          | 694008 Ring Set<br>(.020" Oversize)<br>(Used Before Code<br>Date 05071900).   |
|          |          | ----- Note -----<br>796632 Head-Cylinder<br>(Cylinder #1)<br>Used on Type No(s).<br>0127, 0128, 1113,<br>1188, 1198, 1199,<br>1201, 1262. | 22       | 694966   | Screw<br>(Crankcase<br>Cover/Sump)   | 27       | 690975   | Lock-Piston Pin   |
| 5A       | 792300   | Head-Cylinder<br>(Cylinder #2)  | 23       | 691053   | Flywheel   | 28       | 690229   | Pin-Piston<br>(Standard)  |
|          |          | ----- Note -----<br>796633 Head-Cylinder<br>(Cylinder #2)<br>Used on Type No(s).<br>0127, 0128, 1113,<br>1188, 1198, 1199,<br>1201, 1262. |          |          | ----- Note -----<br>691054 Flywheel<br>Used on Type No(s).<br>0128, 0827, 1188,<br>1274. |          |          | ----- Note -----<br>696581 Pin-Piston<br>(Standard)<br>Used on Type No(s).<br>0127, 0128, 1113,<br>1188, 1198, 1199,<br>1201, 1262.         |
| 7        | 693997   | Gasket-Cylinder Head  | 24       | 222698s  | Key-Flywheel   | 29       | 699699   | Rod-Connecting<br>(Standard)  |
| 8        | 792185   | Breather Assembly   | 25       | 792023   | Piston Assembly<br>(Standard)  |          |          | ----- Note -----<br>796209 Rod-<br>Connecting<br>(Standard)<br>Used on Type No(s).<br>0127, 0128, 1113,<br>1188, 1198, 1199,<br>1201, 1262. |
| 9        | 690937   | Gasket-Breather   |          |          | ----- Note -----<br>792072 Piston<br>Assembly<br>(.020" Oversize)                        | 32       | 690976   | Screw<br>(Connecting Rod)   |
| 10       | 691108   | Screw<br>(Breather Assembly)  |          |          |  |          |          |   |
| 11       | 792184   | Tube-Breather   |          |          |  |          |          |   |
| 12       | 697227   | Gasket-Crankcase  |          |          |  |          |          |   |
| 13       | 791130   | Screw<br>(Cylinder Head)  |          |          |  |          |          |   |
|          |          | ----- Note -----<br>793988 Screw<br>(Cylinder Head)<br>Used on Type No(s).<br>0127, 0128, 1113,<br>1188, 1198, 1199,<br>1201, 1262.       |          |          |  |          |          |   |

Illustrations cover a range of engines. Parts shown without corresponding text may not be used on your specific engine.

# 445600

| REF. NO. | PART NO. | DESCRIPTION  | REF. NO. | PART NO. | DESCRIPTION  | REF. NO. | PART NO. | DESCRIPTION                                      |
|----------|----------|--|----------|----------|--|----------|----------|--|
| 33       | 697576   | Valve-Exhaust<br>----- <b>Note</b> -----<br>499596 Valve-Exhaust<br>Used on Type No(s).<br>0127, 0128, 1113,<br>1188, 1198, 1199,<br>1201, 1262.                 | 117A     | 791502   | Jet-Main<br>(Standard)<br>(Right)(Nikki)<br>----- <b>Note</b> -----<br>842627 Jet-Main<br>(Standard)<br>(Right)(Nikki)<br>Used on Type No(s).<br>1188, 1199, 1274.           | 142      | 699726   | Nozzle-Carburetor<br>(Standard)                  |
| 34       | 792220   | Valve-Intake   |          |          |  | 146      | 690979   | Key-Timing                                       |
| 35       | 694865   | Spring-Valve<br>(Intake)   |          |          |  | 150      | 690995   | Gasket-Nozzle                                    |
| 36       | 694865   | Spring-Valve<br>(Exhaust)  | 118      | 695415   | Jet-Main<br>(High Altitude)<br>(Left)(Nikki)<br>----- <b>Note</b> -----<br>699457 Jet-Main<br>(High Altitude)<br>(Left)(Nikki)<br>Used on Type No(s).<br>1188, 1199, 1274.   | 160      | 699727   | Retainer-Solenoid                                |
| 42       | 499586   | Keeper-Valve   |          |          |  | 163      | 691001   | Gasket-Air Cleaner                               |
| 45       | 690977   | Tappet-Valve   |          |          |  | 165      | 693148   | Nut<br>(Ring Gear)                               |
| 46       | 792555   | Camshaft<br>(Used After Code Date<br>06081300).<br>----- <b>Note</b> -----<br>790562 Camshaft<br>(Used Before Code<br>Date 06081400).                            | 118A     | 843099   | Jet-Main<br>(High Altitude)<br>(Right)(Nikki)<br>----- <b>Note</b> -----<br>699733 Jet-Main<br>(High Altitude)<br>(Right)(Nikki)<br>Used on Type No(s).<br>1188, 1199, 1274. | 186      | 795985   | Hose-Connector                                   |
| 50A      | 695241   | Manifold-Intake  |          |          |  | 186A     | 796532   | Hose-Connector                                   |
| 51A      | 795123   | Gasket-Intake  |          |          |  | 187A     | 791766   | Line-Fuel<br>(Cut to Required<br>Length)         |
| 51E      | 690949   | Gasket-Intake  |          |          |  | 187D     | 791744   | Line-Fuel<br>(Formed)(Cut to<br>Required Length) |
| 53       | 690951   | Stud<br>(Carburetor)   |          |          |  | 187E     | 797801   | Line-Fuel<br>(Formed)(Cut to<br>Required Length) |
| 54       | 699816   | Screw<br>(Intake Manifold)   |          |          |  | 188      | 691108   | Screw<br>(Control Bracket)                       |
| 73       | 494439   | Screen-Rotating  | 121      | 792455   | Kit-Carburetor<br>Overhaul   |          |          |  |
| 74       | 698425   | Screw<br>(Rotating Screen)   | 125      | 791230   | Carburetor<br>----- <b>Note</b> -----<br>796227 Carburetor<br>Used on Type No(s).<br>1188, 1199, 1274.   |          |          |  |
| 75       | 691056   | Washer<br>(Flywheel)   |          |          |  |          |          |  |
| 95       | 690718   | Screw<br>(Throttle Valve)  | 130      | 690993   | Valve-Throttle   |          |          |  |
| 98       | 699721   | Kit-Idle Speed   | 131      | 499805   | Kit-Throttle Shaft   |          |          |  |
| 104      | 694918   | Pin-Float Hinge  | 133      | 699724   | Float-Carburetor   |          |          |  |
| 105      | 698537   | Valve-Float Needle   | 135      | 699729   | Tube-Fuel Transfer   |          |          |  |
| 108      | 699723   | Valve-Choke  | 137      | 690994   | Gasket-Float Bowl  |          |          |  |
| 117      | 791501   | Jet-Main<br>(Standard)<br>(Left)(Nikki)<br>----- <b>Note</b> -----<br>792296 Jet-Main<br>(Standard)<br>(Left)(Nikki)<br>Used on Type No(s).<br>1188, 1199, 1274. | 141      | 699722   | Kit-Choke Shaft<br>----- <b>Note</b> -----<br>796228 Kit-Choke<br>Shaft<br>Used on Type No(s).<br>0128, 1188, 1198,<br>1199, 1201, 1274.                                     |          |          |  |

Illustrations cover a range of engines. Parts shown without corresponding text may not be used on your specific engine.

| REF. NO. | PART NO. | DESCRIPTION   | REF. NO. | PART NO. | DESCRIPTION   | REF. NO. | PART NO. | DESCRIPTION   |
|----------|----------|---|----------|----------|---|----------|----------|---|
| 192      | 690083   | Adjuster-Rocker Arm   | 211      | 691019   | Spring-Governed Idle  | 240      | 691035   | Filter-Fuel   |
| 209      | 793342   | Spring-Governor<br>Used on Type No(s).<br>0113, 1113.   |          |          | ----- Note -----  | 240A     | 695666   | Filter-Fuel<br>Used on Type No(s).<br>1188, 1199, 1274.     |
|          |          | ----- Note -----  |          |          | 796225 Spring-Governed Idle<br>Used on Type No(s).<br>0128, 1188, 1198,<br>1199, 1201, 1262,<br>1274. | 250      | 690957   | Retainer-Breather   |
|          |          | 796224 Spring-Governor<br>Used on Type No(s).<br>0128, 1188, 1198,<br>1199, 1201, 1274.   | 212      | 695238   | Link-Throttle   | 252      | 794389   | Collector-Oil   |
|          |          | 793340 Spring-Governor<br>(Orange)<br>Used on Type No(s).<br>0758, 1145.  | 213      | 691021   | Bracket-Choke Control   | 265      | 691024   | Clamp-Casing  |
|          |          | 793339 Spring-Governor<br>(Light Green)<br>Used on Type No(s).<br>0127, 0759, 0827,<br>1262.  | 216      | 691022   | Link-Choke  | 267      | 691044   | Screw<br>(Casing Clamp)<br>(.625 Length)                    |
|          |          | 793339 Spring-Governor<br>(Light Green)<br>(Used After Code Date<br>06081400).<br>Used on Type No(s).<br>0413, 0476, 0725.                          | 217      | 695409   | Link-Choke<br>Used on Type No(s).<br>0128, 1188, 1198,<br>1199, 1201, 1274.                           | 267A     | 695134   | Screw<br>(Casing Clamp)<br>(.630 Length)                    |
|          |          | 793340 Spring-Governor<br>(Orange)<br>(Used After Code Date<br>06081400).<br>Used on Type No(s).<br>0110, 0420, 0421,<br>0503.                      | 219      | 793338   | Gear-Governor   | 267B     | 792629   | Screw<br>(Casing Clamp)<br>(.703 Length)                    |
|          |          | 697674 Spring-Governor<br>(Brown)<br>(Used Before Code Date<br>06081500).<br>Used on Type No(s).<br>0110, 0413, 0420,<br>0421, 0476, 0503,<br>0725. | 220      | 690412   | Washer<br>(Governor Gear)   | 268      | 691025   | Casing-Control Wire<br>(Cut To Required Length)             |
|          |          |   | 222      | 698761   | Bracket-Control<br>----- Note -----   | 269      | 691026   | Wire-Control<br>(Cut To Required Length)                    |
|          |          |   |          |          | 796226 Bracket-Control<br>Used on Type No(s).<br>0128, 1188, 1198,<br>1199, 1201, 1274.               | 270      | 691027   | Nut<br>(Control Wire Casing)                                |
|          |          |   | 227      | 792492   | Lever-Governor Control  | 271      | 691028   | Lever-Control   |
|          |          |   | 231      | 690718   | Screw<br>(Choke Valve)  | 276      | 690997   | Washer-Sealing<br>(Fiber)                                   |
|          |          |   | 239      | 697049   | Switch-Oil Pressure<br>Used on Type No(s).<br>0110.   | 276A     | 695410   | Washer-Sealing<br>(Aluminum) (Solenoid)<br>----- Note ----- |
|          |          |   |          |          | ----- Note -----  |          |          | 794271 Washer-Sealing<br>(Aluminum) (Float Bowl)            |
|          |          |   |          |          | 792028 Switch-Oil Pressure<br>Used on Type No(s).<br>0113, 1113.                                      | 278      | 792651   | Washer<br>(Governor Control Lever)                          |
|          |          |   |          |          |   | 287      | 691108   | Screw<br>(Dipstick Tube)                                    |
|          |          |   |          |          |   | 300      | 696226   | Muffler<br>Used on Type No(s).<br>0110.                     |

Illustrations cover a range of engines. Parts shown without corresponding text may not be used on your specific engine.

# 445600

| REF. NO.    | PART NO.      | DESCRIPTION  | REF. NO.    | PART NO.      | DESCRIPTION  | REF. NO.    | PART NO.       | DESCRIPTION  |
|-------------|---------------|--|-------------|---------------|--|-------------|----------------|--|
| <b>304</b>  | <b>790688</b> | Housing-Blower<br>(Used Before Code Date 06103000).<br>Used on Type No(s).<br>0110, 0413, 0420,<br>0421, 0476, 0503.   | <b>304C</b> | <b>796678</b> | Housing-Blower<br>Used on Type No(s).<br>1274.<br>----- <b>Note</b> -----<br><b>796678</b> Housing-Blower<br>(Used After Code Date 08100500).<br>Used on Type No(s).<br>1188, 1199.                | <b>337</b>  | <b>491055s</b> | Plug-Spark<br>----- <b>Note</b> -----<br><b>691043</b> Plug-Spark<br>Used on Type No(s).<br>0110, 0113, 0128,<br>0413, 0476, 0503,<br>0758, 1113, 1145,<br>1262. |
| <b>304A</b> | <b>796597</b> | Housing-Blower<br>Used on Type No(s).<br>0128, 1262.<br>----- <b>Note</b> -----<br><b>796597</b> Housing-Blower<br>(Used After Code Date 08082700).<br>Used on Type No(s).<br>0113, 1113.<br><b>796597</b> Housing-Blower<br>(Used After Code Date 08091400).<br>Used on Type No(s).<br>0110, 0127, 0413,<br>0420, 0421, 0476,<br>0503, 0725, 0758,<br>0759, 0827, 1145,<br>1198, 1201.<br><b>791243</b> Housing-Blower<br>(Used Before Code Date 08082800).<br>Used on Type No(s).<br>0113, 1113.<br><b>791243</b> Housing-Blower<br>(Used Before Code Date 08091500).<br>Used on Type No(s).<br>0127, 0725, 0758,<br>0759, 0827, 1145,<br>1198, 1201.<br><b>791243</b> Housing-Blower<br>(Used Before Code Date 08091500 and After Code Date 06102900).<br>Used on Type No(s).<br>0110, 0413, 0420,<br>0421, 0476, 0503. | <b>305</b>  | <b>691005</b> | Screw<br>(Blower Housing)  | <b>358A</b> | <b>694012</b>  | Gasket Set-Engine  |
|             |               |  | <b>305B</b> | <b>790690</b> | Screw<br>(Blower Housing to Intake Elbow)  | <b>363</b>  | <b>19203</b>   | Puller-Flywheel  |
|             |               |  | <b>309</b>  | <b>499521</b> | Motor-Starter<br>----- <b>Note</b> -----<br><b>497595</b> Motor-Starter<br>Used on Type No(s).<br>0128, 0725, 0758,<br>0759, 0827, 1145,<br>1188, 1198, 1199,<br>1201, 1274.                       | <b>383</b>  | <b>19374s</b>  | Wrench-Spark Plug  |
|             |               |  | <b>310</b>  | <b>691263</b> | Screw<br>(Starter Motor)<br>----- <b>Note</b> -----<br><b>690323</b> Screw<br>(Starter Motor)<br>Used on Type No(s).<br>0128, 0725, 0758,<br>0759, 0827, 1145,<br>1188, 1198, 1199,<br>1201, 1274. | <b>385</b>  | <b>691108</b>  | Screw<br>(Fuel Pump)<br>(Used Before Code Date 06072800).  |
|             |               |  | <b>311</b>  | <b>497608</b> | Brush Set  | <b>387</b>  | <b>808656</b>  | Pump-Fuel  |
|             |               |  | <b>332</b>  | <b>691059</b> | Nut<br>(Flywheel)  | <b>404</b>  | <b>690442</b>  | Washer<br>(Governor Crank)   |
|             |               |  | <b>333</b>  | <b>691060</b> | Armature-Magneto   | <b>405A</b> | <b>697820</b>  | Screw<br>(Back Plate)  |
|             |               |  | <b>334</b>  | <b>691061</b> | Screw<br>(Magneto Armature)  | <b>415</b>  | <b>794903</b>  | Plug   |
|             |               |  |             |               |  | <b>418</b>  | <b>690999</b>  | Plate-Carburetor   |
|             |               |  |             |               |  | <b>431B</b> | <b>790816</b>  | Elbow-Intake   |
|             |               |  |             |               |  | <b>445</b>  | <b>499486s</b> | Filter-Air Cleaner<br>Cartridge  |
|             |               |  |             |               |  | <b>445B</b> | <b>792105</b>  | Filter-Air Cleaner<br>Cartridge<br>Used on Type No(s).<br>1188, 1199, 1274.  |
|             |               |  |             |               |  | <b>447</b>  | <b>691003</b>  | Screw<br>(Air Guide Cover)   |
|             |               |  |             |               |  | <b>447A</b> | <b>691108</b>  | Screw<br>(Air Guide Cover)   |
|             |               |  |             |               |  | <b>467</b>  | <b>790697</b>  | Knob-Air Cleaner<br>(1" Long)  |
|             |               |  |             |               |  | <b>467A</b> | <b>691008</b>  | Knob-Air Cleaner<br>(1 1/2" Long)  |
|             |               |  |             |               |  | <b>474A</b> | <b>696457</b>  | Alternator<br>(5-9 Amp Regulated)  |
|             |               |  |             |               |  | <b>474B</b> | <b>696458</b>  | Alternator<br>(10-16 Amp Circuit)  |
|             |               |  |             |               |  | <b>474C</b> | <b>696459</b>  | Alternator<br>(Dual Circuit)   |

Illustrations cover a range of engines. Parts shown without corresponding text may not be used on your specific engine.  
3346-12 Assemblies include all parts shown in frames. 12/18/2008

| REF. NO. | PART NO. | DESCRIPTION  | REF. NO. | PART NO. | DESCRIPTION   | REF. NO. | PART NO. | DESCRIPTION  |
|----------|----------|--|----------|----------|---|----------|----------|--|
| 501A     | 691188   | Regulator<br>(5 To 9 Amp<br>Regulated)   | 615      | 698290   | Retainer-Governor<br>Shaft  | 788      | 691039   | Bracket-Fuel Pump<br>(Used Before Code<br>Date 06072800).  |
| 501B     | 691185   | Regulator<br>(10-16 Amp<br>Regulated)  | 616      | 691045   | Crank-Governor  | 788A     | 793145   | Bracket-Fuel Pump<br>(Used After Code Date<br>06072700).   |
| 505      | 691029   | Nut<br>(Governor Control<br>Lever)   | 617      | 697891   | Seal-O Ring<br>(Intake Manifold)  | 789A     | 790544   | Harness-Wiring   |
| 510      | 696541   | Drive-Starter  | 628      | 691108   | Screw<br>(Fuel Pump Bracket)<br>(Used Before Code<br>Date 06072800).  | 789B     | 698330   | Harness-Wiring   |
| 512      | 796530   | Hose-Oil Drain   | 633      | 690998   | Seal-Choke/Throttle<br>Shaft  | 789C     | 696576   | Harness-Wiring   |
| 513      | 692024   | Clutch-Drive   |          |          | ----- Note -----  | 797      | 693167   | Nut<br>(Brush Retainer)  |
| 523      | 691036   | Dipstick   |          |          | 699813 Seal-  | 798      | 697890   | Screw<br>(Rocker Arm)  |
| 524      | 691032   | Seal-Dipstick Tube   |          |          | Choke/Throttle Shaft  | 801      | 691283   | Cap-Drive  |
| 525      | 691037   | Tube-Dipstick  |          |          | Used on Type No(s).<br>0128, 1188, 1198,<br>1199, 1201, 1274.   | 802      | 691286   | Cap-End  |
| 526A     | 691129   | Screw<br>(Regulator)<br>(5 To 9 Amp<br>Regulated)  | 635      | 66538s   | Boot-Spark Plug   | 842      | 691031   | Seal-O Ring<br>(Dipstick Tube)   |
| 526B     | 691108   | Screw<br>(Regulator)<br>(10-16 Amp<br>Regulated)   | 654      | 690958   | Nut<br>(Carburetor)   | 847      | 499602   | Dipstick/Tube<br>Assembly  |
| 552      | 690552   | Bushing-Governor<br>Crank<br>----- Note -----<br>796638 Bushing-<br>Governor Crank<br>Used on Type No(s).<br>0127, 0128, 1113,<br>1188, 1198, 1199,<br>1201, 1262, 1274. | 668      | 691215   | Spacer  | 851      | 493880s  | Terminal-Spark Plug  |
| 552A     | 690553   | Bushing-Governor<br>Crank  | 672      | 690234   | Gasket-Carburetor<br>Plate  | 865      | 691012   | Cover-Air Guide<br>(Cylinder #1)   |
| 562      | 690311   | Bolt<br>(Governor Control<br>Lever)  | 691      | 790574   | Seal-Governor Shaft   | 865A     | 793205   | Cover-Air Guide<br>(Cylinder #2)<br>----- Note -----<br>796541 Cover-Air<br>Guide<br>(Cylinder #2)<br>Used on Type No(s).<br>0127, 0128, 1113,<br>1188, 1198, 1199,<br>1201, 1262, 1274. |
| 573      | 790444   | Plate-Back   | 695      | 693149   | Screw<br>(Ring Gear)  | 865B     | 691015   | Cover-Air Guide<br>(Valley)<br>----- Note -----<br>792286 Cover-Air<br>Guide<br>(Valley)<br>Used on Type No(s).<br>1188, 1199, 1274.   |
| 578A     | 691208   | Wire Assembly  | 697      | 690372   | Screw<br>(Drive Cap)  | 868      | 690968   | Seal-Valve   |
| 579      | 691029   | Nut<br>(Starter Cable)   | 703      | 691010   | Clip  | 877A     | 393537   | Wire/Connector-<br>Alternator  |
| 601      | 791850   | Clamp-Hose   | 718      | 690959   | Pin-Locating  | 877B     | 399916   | Wire/Connector-<br>Alternator  |
| 601A     | 691038   | Clamp-Hose   | 726      | 499612   | Gear-Ring   | 877C     | 393456   | Wire/Connector-Alternator  |
| 613      | 690341   | Screw<br>(Muffler)<br>Used on Type No(s).<br>0110.   | 729      | 694123   | Clip-Wire<br>Used on Type No(s).<br>0110, 0113, 1113.   |          |          |  |
| 613A     | 690297   | Screw<br>(Muffler)<br>Used on Type No(s).<br>0110.   | 741      | 690980   | Gear-Timing   |          |          |  |
|          |          |  | 742      | 690328   | Retainer-E Ring   |          |          |  |
|          |          |  | 750      | 696999   | Screw<br>(Oil Pump Cover)   |          |          |  |
|          |          |  | 750B     | 796208   | Screw<br>(Oil Pump Cover)<br>Used on Type No(s).<br>0127, 0128, 1113,<br>1188, 1198, 1199,<br>1201, 1262, 1274. |          |          |  |
|          |          |  | 783      | 695708   | Gear-Pinion   |          |          |  |

Illustrations cover a range of engines. Parts shown without corresponding text may not be used on your specific engine.

# 445600

| REF. NO. | PART NO. | DESCRIPTION   | REF. NO. | PART NO. | DESCRIPTION  | REF. NO. | PART NO. | DESCRIPTION  |
|----------|----------|---|----------|----------|--|----------|----------|--|
| 883      | 690970   | Gasket-Exhaust  | 968C     | 791242   | Cover-Air Cleaner  | 1023     | 793146   | Cover-Rocker   |
| 914      | 691127   | Screw<br>(Rocker Cover)   |          |          | Used on Type No(s).<br>0113, 0127, 0128,<br>0725, 0758, 0759,<br>0827, 1113, 1145,<br>1188, 1198, 1199,<br>1201, 1262, 1274. |          |          | (Cylinder #1)<br>(Used After Code Date<br>06072700).                                       |
| 918      | 793147   | Hose-Vacuum<br>(Used After Code Date<br>06072700).  |          |          | ----- Note -----   |          |          | ----- Note -----   |
|          |          | 694000 Hose-Vacuum<br>(Used Before Code<br>Date 06072800).  |          |          | 791242 Cover-Air<br>Cleaner  | 1023A    | 499600   | Cover-Rocker   |
| 929      | 695239   | Screw<br>(Choke Control<br>Bracket)   |          |          | (Used After Code Date<br>06102900).  | 1024A    | 794416   | Cover-Rocker   |
| 943      | 690589   | Seal-O Ring<br>(Oil Pump Cover)   | 975      | 499810   | Bowl-Float   | 1024B    | 796220   | Pump-Oil   |
| 943A     | 796222   | Seal-O Ring<br>(Oil Pump Cover)<br>Used on Type No(s).<br>0127, 0128, 1113,<br>1188, 1198, 1199,<br>1201, 1262, 1274. |          |          | Used on Type No(s).<br>0127, 0128, 1113,<br>1198, 1201, 1262.  |          |          | Used on Type No(s).<br>0127, 0128, 1113,<br>1188, 1198, 1199,<br>1201, 1262, 1274.         |
|          |          | ----- Note -----  |          |          | ----- Note -----   | 1026     | 690981   | Rod-Push   |
| 947      | 699728   | Solenoid-Fuel<br>Used on Type No(s).<br>0127, 0128, 1113,<br>1198, 1201, 1262.  |          |          | 793592 Bowl-Float<br>(Used After Code Date<br>06081300).   | 1026A    | 690982   | Rod-Push   |
|          |          | ----- Note -----  |          |          | 499810 Bowl-Float<br>(Used Before Code<br>Date 06081400).  | 1027     | 492932s  | Filter-Oil   |
|          |          | 841546 Solenoid-Fuel<br>(Used After Code Date<br>06081300).   | 987      | 691000   | Seal-Throttle Shaft  |          |          | ----- Note -----   |
|          |          | ----- Note -----  | 1005     | 791236   | Fan-Flywheel   |          |          | 696854 Filter-Oil<br>Used on Type No(s).<br>1188, 1199, 1274.                              |
|          |          | 699728 Solenoid-Fuel<br>(Used Before Code<br>Date 06081400).  |          |          | Used on Type No(s).<br>0127, 0128, 0725,<br>0758, 0759, 0827,<br>1113, 1145, 1188,<br>1198, 1199, 1201,<br>1262, 1274.       | 1029     | 690972   | Arm-Rocker   |
| 965      | 499613   | Cover-Oil Pump  |          |          | ----- Note -----   | 1035     | 691042   | Shaft-Pump   |
| 965A     | 796221   | Cover-Oil Pump<br>Used on Type No(s).<br>0127, 0128, 1113,<br>1188, 1198, 1199,<br>1201, 1262, 1274.                  |          |          | 791236 Fan-Flywheel<br>(Used After Code Date<br>06102900).   |          |          | (Used Before Code<br>Date 07022600).   |
|          |          | ----- Note -----  |          |          | 790698 Fan-Flywheel<br>(Used Before Code<br>Date 06103000).  | 1036     |          | Label-Emissions<br>(Available from a<br>Briggs & Stratton<br>Authorized Service<br>Dealer) |
| 967      | 273638s  | Filter-Pre Cleaner  |          |          |  | 1040     | 791237   | Plate-Trim   |
| 967B     | 792303   | Filter-Pre Cleaner<br>Used on Type No(s).<br>1188, 1199, 1274.  | 1013     | 690954   | Nipple-Oil Filter  | 1051     | 691265   | Ring-Retaining   |
|          |          | ----- Note -----  | 1017     | 690770   | Screen-Oil Pump  | 1054     | 280275   | Tie-Cable  |
| 968      | 795120   | Cover-Air Cleaner<br>Used on Type No(s).<br>1188, 1199, 1274.   | 1017A    | 796214   | Screen-Oil Pump<br>Used on Type No(s).<br>0127, 0128, 1113,<br>1188, 1198, 1199,<br>1201, 1262, 1274.                        |          |          |  |
| 968A     | 790689   | Cover-Air Cleaner<br>(Used Before Code<br>Date 06103000).   |          |          |  |          |          |  |
|          |          | ----- Note -----  | 1022     | 690971   | Gasket-Rocker Cover  |          |          |  |

Illustrations cover a range of engines. Parts shown without corresponding text may not be used on your specific engine.  
3346-14 Assemblies include all parts shown in frames. 12/18/2008

| REF. NO. | PART NO. | DESCRIPTION                         | REF. NO. | PART NO. | DESCRIPTION   | REF. NO. | PART NO. | DESCRIPTION                     |
|----------|----------|-------------------------------------|----------|----------|---|----------|----------|---------------------------------|
| 1058     | 277103   | Operator's Manual                   | 1126     | 690991   | Screw<br>(Fuel Transfer Tube)                                 | 1128     | 690990   | Screw<br>(Carburetor Nozzle)    |
| 1059     | 698516   | Kit-Screw/Washer                    | 1127     | 690992   | Screw<br>(Float Bowl)   | 1319     | 794467   | Label-Warning                   |
| 1070     | 690372   | Screw<br>(Flywheel Fan)             |          |          | Used on Type No(s).<br>0127, 0128, 1113,<br>1198, 1201, 1262. | 1330     | 273521   | Repair Manual                   |
| 1090     | 691293   | Retainer-Brush                      |          |          | ----- <b>Note</b> -----                                       | 1342A    | 699731   | Extension-Fuel<br>Transfer Tube |
| 1095     | 694013   | Gasket Set-Valve                    |          |          | 695407 Screw<br>(Float Bowl)                                  |          |          |                                 |
| 1100     | 791959   | Pivot-Rocker Arm                    |          |          | (Used After Code Date<br>06081300).                           |          |          |                                 |
| 1119     | 691183   | Screw<br>(Alternator)               |          |          | 690992 Screw<br>(Float Bowl)                                  |          |          |                                 |
| 1123     | 699725   | Seal-O Ring<br>(Solenoid Retainer)  |          |          | (Used Before Code<br>Date 06081400).                          |          |          |                                 |
| 1123A    | 841653   | Seal-O Ring<br>(Solenoid Retainer)  |          |          |   |          |          |                                 |
| 1124     | 690988   | Seal-O Ring<br>(Fuel Transfer Tube) |          |          |   |          |          |                                 |

Not for  
Reproduction

*Illustrations cover a range of engines. Parts shown without corresponding text may not be used on your specific engine.*

Not for  
Reproduction

